

RFID LABEL

ZEPHYR M730

Product code

L Zephyr M730 54,00x34,00 5K 0/ 1/ 0

Part number

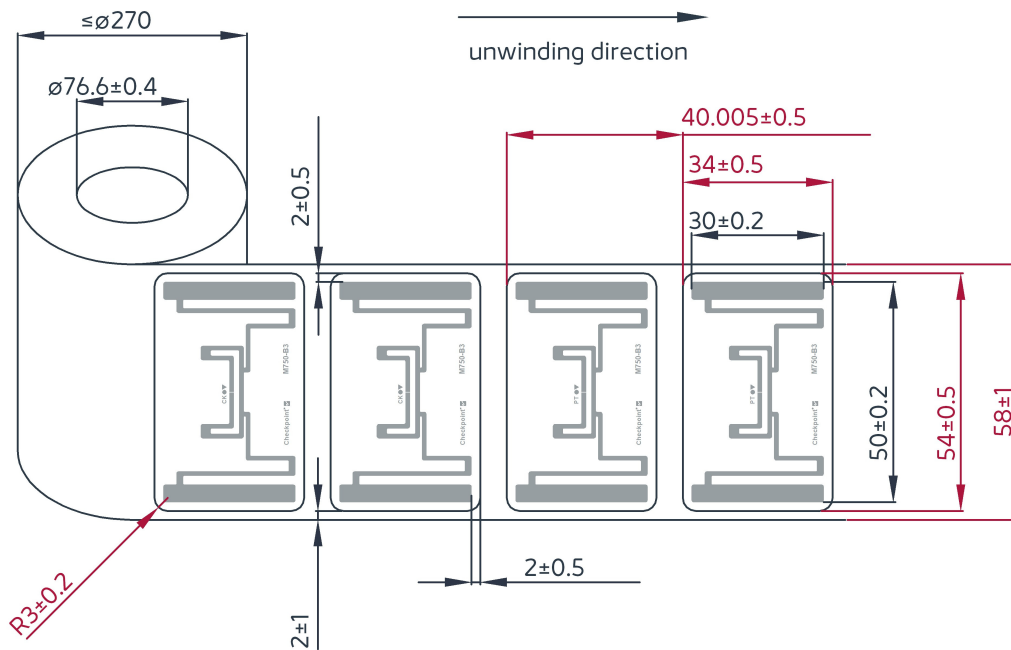
9537420

Inlay dimensions (WxH)

50 mm X 30 mm (1,9 " X 1,1 ")

Product dimensions (WxH)

54 mm X 34 mm (2,1 " X 1,3 ")



RFID INFORMATION

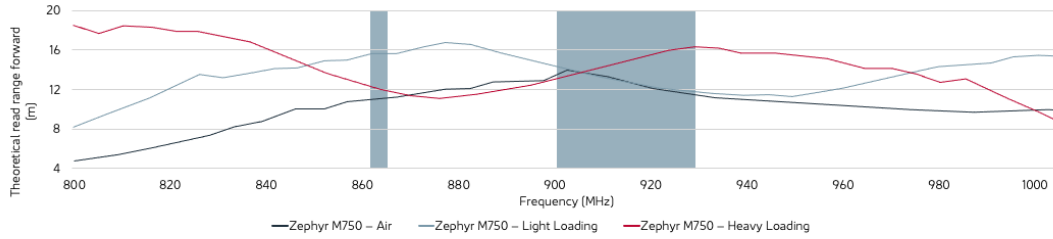
Inlay format	White Wet Label
Carrier material	PET50
Antenna material	Aluminium 10 μ m
Operating frequency	860 Mhz - 960 Mhz
Protocol	ISO/IEC 18000-63:2015 and EPC global Gen2v2 compliant. It also supports Impinj Gen2X
IC life	100,000
ESD character	Max 2000V (HBM)
Memory EPC	128 bits (Read & Write)
Memory TID	96 bits (Read Only)
Passwords	Kill password: 32 bits (Read and write) Access password: 32 bits (Read and write)
ARC specifications:	B1,F,G,L,M,N,Q,W1,W2,W3,W4,W5,W6,Y

TECHNICAL INFORMATION

Width of liner / PET	58.00
Pitch of Wet inlay / Antenna	40.005
Number of Up(s)	1.00
Face material	Standard Paper
Liner	Standard FSC Paper liner
Special finish (if applicable)	-
Print technology (if applicable)	-
Adhesive name	Standard Plus, Smooth plastic container (HDPE) HT
Print technique	
Application temperature	
Operating temperature	-
Storage temperature	-
Shelf life	-

READ RANGE - FREE SPACE, LIGHT & HEAVY LOADING CONDITIONS

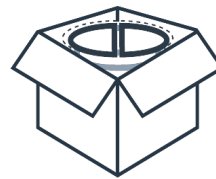
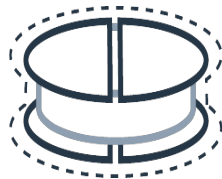
ALL GRAPS ARE INDICATIVE. PERFORMANCE IN REAL APPLICATIONS MAY VARY.



DELIVERY AND PACKAGING

Gross weight per piece	0,5	Roll count (kpcs)	5
Net weight per piece	0,35	Rolls per carton	4
Core size	76,6mm/3"	Box weight	11,3
OD of roll	280	Box size	L: 29 W: 29 H: 28,7
Minimum roll yield		Notes	-

PACKAGING METHOD



APPLICATIONS: This product should be tested by the customer/user thoroughly under end use conditions to ensure the product meets their particular requirements. The information provided does not represent that this product is fit for any particular purpose or use. Checkpoint reserves the right to modify, change, supplement, or discontinue product offerings at any time without notice. The information contained herein is believed to be reliable but makes no representation concerning the accuracy or correctness of the data.

HANDLING: For handling guidelines please [click here](#)

WARRANTY: Please refer to our standard terms and conditions found online at www.checkpointsystems.com

FILE DOWNLOADED: 25.05.2026



©Checkpoint Systems, 2025. All rights reserved.
 All information and illustrations are intellectual property of Checkpoint Systems, Inc.
 Any copying, reprinting, manipulating or publishing in part or in whole is strictly prohibited.

